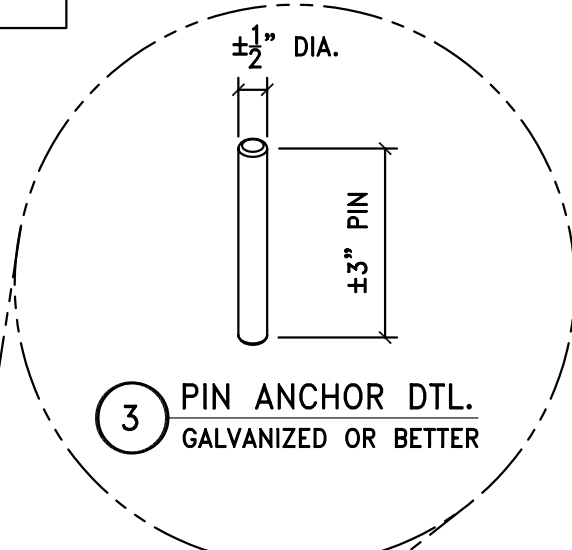


BALL CODE TO BE VERIFIED BY CUSTOMER TO MEET THEIR LOCAL REQUIREMENTS

HANDRAIL & BASERAIL SUPPLIED 25% LONGER TO ACCOMMODATE SLOPE OF STAIR

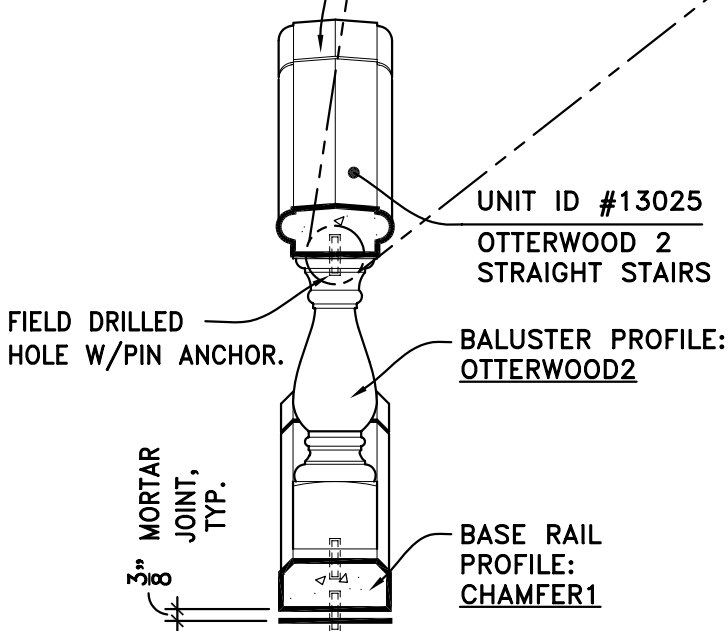
BALUSTER LUGS FIELD CUT TO ACCOMMODATE ACTUAL SLOPE AND HEIGHT REQUIREMENTS

THESE DRAWINGS ARE SUGGESTED INSTALLATION DETAILS ONLY; ALL ATTACHMENTS, STEEL SIZES, GAUGE THICKNESS, AND ANCHOR SIZES SHOULD BE CALCULATED BY A STRUCTURAL ENGINEER; WE ARE NOT LIABLE FOR INSTALLATION OF ANY KIND

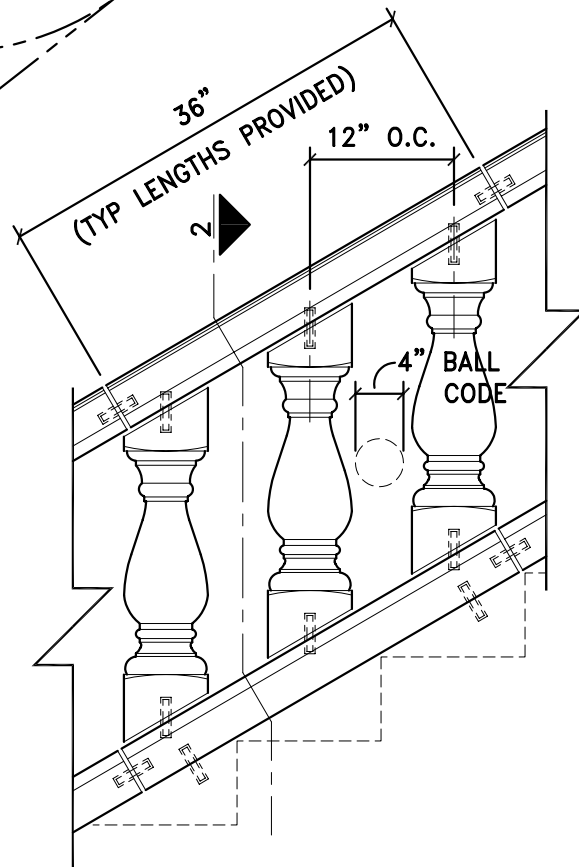


3 PIN ANCHOR DTL. GALVANIZED OR BETTER

CAP OR HANDRAIL PROFILE: EXTRADOS1



2 VERTICAL SECTION



1 CAST STONE BALUSTRADE STAIR ATTACHMENT WITH PIN ANCHORS

STD 3/8" MORTAR JOINT

SCALE: N.T.S.

STONE LEGENDS

301 Pleasant Drive - Dallas, TX 75217
Voice (214) 398-0999 - Fax (214) 398-1293
Visit our website at www.stonelegends.com

CLIENT:

PROJECT: